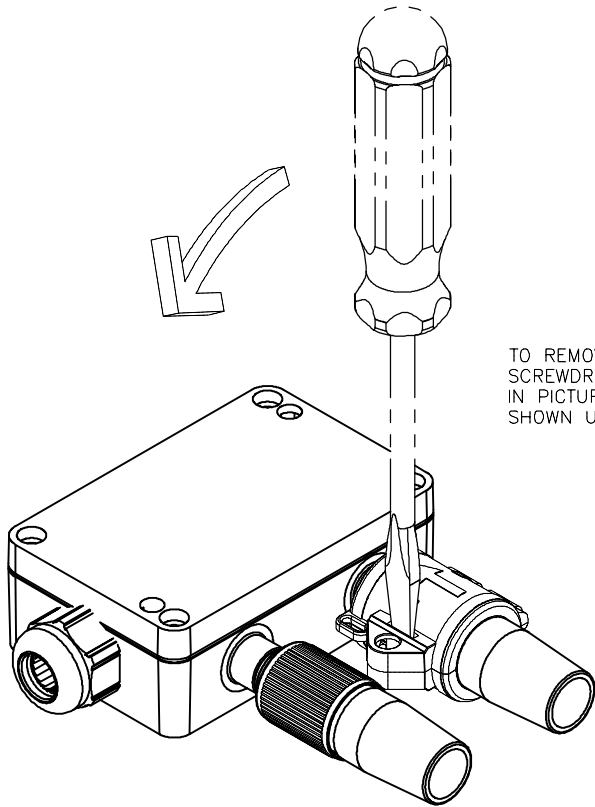
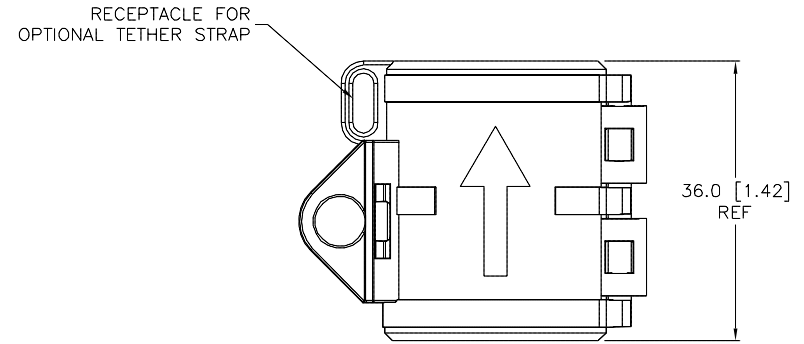
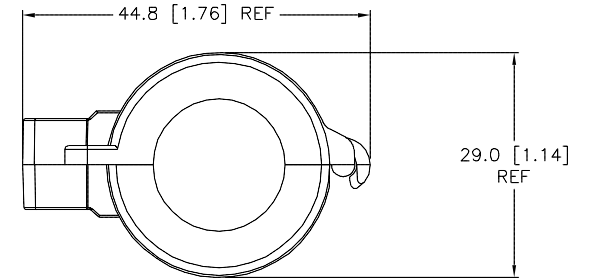
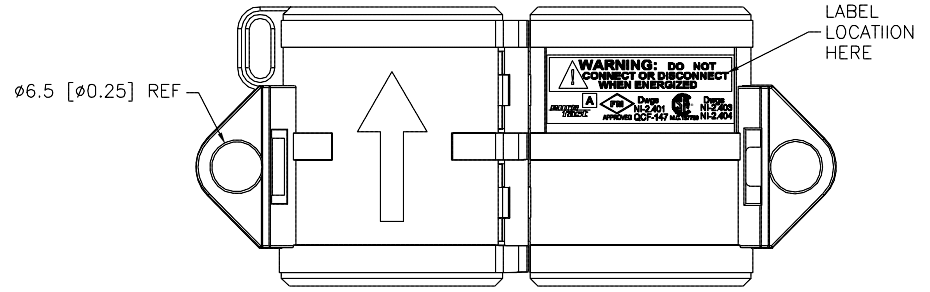


TO INSTALL LOCKOUT DEVICE, PLACE AROUND CORDSET END AND CLOSE UNTIL CONNECTOR SNAPS CLOSED.



TO REMOVE LOCKOUT DEVICE, INSERT SMALL SCREWDRIVER INTO LOCKING GROOVE AS SHOWN IN PICTURE. ROTATE SCREWDRIVER IN DIRECTION SHOWN UNTIL LOCKING DEVICE RELEASES.

SOURCE DRAWING - FOR REFERENCE ONLY

RELATED DOCUMENTS		3RD ANGLE PROJECTION		THIS DRAWING IS CONFIDENTIAL AND THE PROPERTY OF TURCK INC. USE OF THIS DOCUMENT WITHOUT WRITTEN PERMISSION IS PROHIBITED.		TURCK INC High Technology Sensors and Automation Controls 3000 CAMPUS DRIVE MINNEAPOLIS, MN 55441 1-800-544-7769 (763) 553-7300 (763) 553-0708 fax turck.com	
1.				DRFT RWC		DATE 08/03/09	
2.				APVD		SCALE 1=1.0	
3.		ALL DIMENSIONS DISPLAYED ON THIS DRAWING ARE FOR REFERENCE ONLY		UNIT OF MEASUREMENT		DESCRIPTION	
4.				MILLIMETER [INCH]		LOCK-EURO-A	
MATERIAL		SEE SPECIFICATIONS		CONTACT TURCK FOR MORE INFORMATION		IDENTIFICATION NO.	
FINISH		SEE SPECIFICATIONS		DO NOT SCALE THIS DRAWING		REV	
REV		DESCRIPTION		BY		FILE: A0937	
B		UPDATE LABEL DETAIL		RDS 07/20/16		A0937	
ECO NO.		55769		DATE		SHEET 1 OF 1	